



HANGCHA GROUP CO., LTD.

Factory site: 666 Xiangfu Road,
Hangzhou, Zhejiang, China (311305)

Tel: +86-571-88926735 88926755
Fax: +86-571-88926789 88132890

sales@hcforklift.com www.hcforklift.com

HANGCHA GROUP CO., LTD. reserves the right to make any changes without notice concerning colors, equipment, or specifications detailed in this brochure, or to discontinue individual models. The colors of trucks, delivered may differ slightly from those in brochures.



Follow us on Facebook



Follow us on YouTube



Follow us on WeChat



Download "Hangcha Forklift" App



ISO45001:2018



ISO14001:2015



ISO9001:2015



HANGCHA trucks conform to the European Safety Requirements.

STAGE V
CERTIFIED



XF SERIES

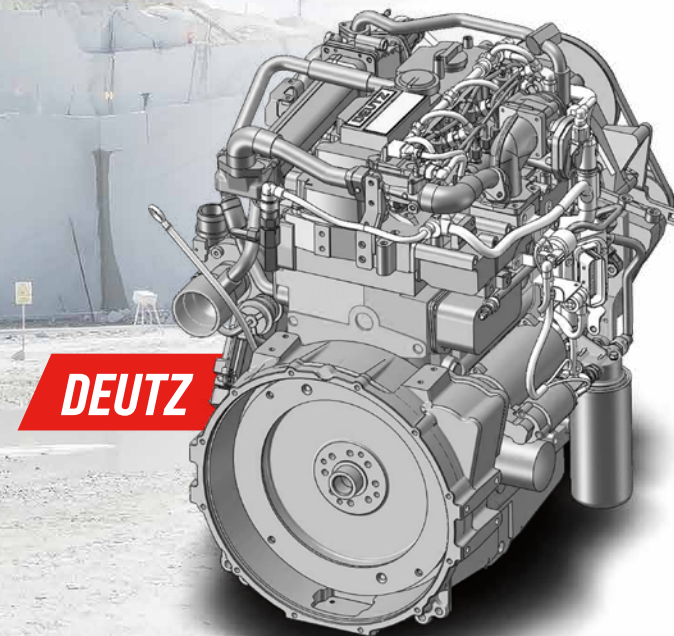
DIESEL / LPG COUNTERBALANCED TRUCKS

with capacities of 5,000 to 7,000kg

HANGCHA be with you at every stage

Efficient, reliable solutions for your demands

STAGE V



With Hangcha you can meet all Stage V emissions standards which provides customer demands for value, innovation and performance. The technologies include common rail fuel systems, turbocharged Inter-cooled, EGR + DOC + DPF. Designed and optimised to every engine model, our forklift truck maximises efficiency and reliability.

HANGCHA Forklift with StageV

No.	Capacity	Series	Manufacturer	Engine	Drive power	Model	Emission Std.	Transmission	Power (kw/rpm)	Service brake
1	5.0-7.0t	XF	DEUTZ	TCD 3.6 L4	Diesel	CPCD50/60/70-XW95G	Stage V/T4F	ZF	55.4/2300	Wet brake
2	5.0-7.0t	XF	Cummins	F3.8	Diesel	CPCD50/60/70-XH16B	Stage V/T4F	Okamura	90/2200	Wet brake
3	5.0-7.0t	XF	Yuchai	YCA05115-S500	Diesel	CPCD50/60/70-XH15B	Stage V	Okamura	85/2200	Wet brake
4	5.0-7.0t	XF	PSI	PSI 4.3	LPG	CPYD50/60/70-XH20	Stage V	CHINA	79.75/2300	Drum brake

Note: Stage V applied for European Union also including Israel and Turkey

EASY MAINTENANCE

Careful design facilitates inspection and servicing. Easy maintenance reduces the amount of downtime and helps to reduce cost also.

- ▶ The location of the air-filter is easy to reach, and it's very easy to replace the filter.
- ▶ The rotating LPG bottle holder is easy to replace the bottle, reduces the downtime.
- ▶ All the locations of the engine oil level dipstick, filter of hydraulic, water separator are easy to reach, and very easy for engineer to check.
- ▶ There's gas spring support for the front cover of radiator, and it can auto-open when the rear cover of radiator is opened.

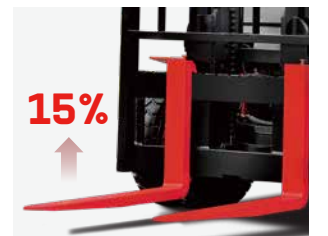
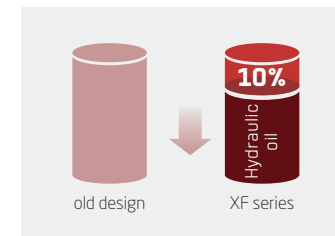


PRODUCTIVITY

Thanks to the series technological innovations, the efficiency of the truck is improved, the energy consumption is reduced.



By optimizing transmission design, the power train provides higher efficiency, and the Max. driving speed is increased **20%**



- ▶ The new patent dynamic load sensing hydraulic steering system contributes to reduce loss of hydraulic, improve energy consumption and increase 15% lifting speed.



- ▶ Interactive instrument: The instrument adopts 4.0-inch LCD display with four interactive buttons, and has one CAN bus communication function. The communication protocol is compatible with CANopen and SAE J1939 standards.



- ▶ The new efficiency LED lighting system and new type reflector reduce energy consumption, improve illumination performance and prolong working life.

COMFORTABLE OPERATION

In developing the XF 5-7t series, comfort and easy operation is always considered, for example, improved vibrating levels, compound engine damper and full floating seat and cabin are applied. Comfortable also contribute to increased productivity.

▶ The new, relocated easy-to-see LCD meter lets the operator check on all aspects of operational status at a glance.



▶ The automobile-style suspended pedals provide more ergonomic operation.



▶ The new automobile-style light/turn-signal lever and forward-reverse lever are ergonomically designed and arranged to improve comfort and productivity.



▶ The optional Electro-hydraulic proportional control system contributes more sensitive and precise load handling. The easy-to-operate levers provide total load handling operation. An armrest is provided to reduce fatigue.

▶ Only 90N parking brake force is required.



▶ The small diameter steering wheel with tilt adjustment provides the ideal operating position. The superior responsiveness of the steering wheel optimizes maneuverability even in narrow spaces.



SAFETY

A wide range of technologies are applied to ensure absolute safety for both the operator and those in the surrounding.



The locking device of the engine hood damper and parking brake help add to safety.



There's an energy accumulator applied in the braking system, which means when the engine is shut down, it can also provides more than 4 times emergency brake.



▶ The seat sensor system incorporates lifting/tilting and traveling locking function. When the operator leaves the seat, the system automatically locks lifting/tilting and disables traveling to ensure safety.

▶ A throttling device is adopted to avoid the mast being out of control even some pipes are broken.



WIDER

WIDER 30%

▶ The extra foot space is provided to reduce operator fatigue significantly. The new wide-open, non-slip step makes getting in and out easy and safe.

SOFTLY

▶ In addition to the soft landing system, the soft lifting system is adopted (front lifting cylinders of triplex mast and full free duplex mast), as a result, the noise and shock of the mast significantly decreases.

WIDER

▶ The new design mast provides broad forward visibility due to the distance between inside mast is increase 60mm.

RELIABILITY

By focusing on enhancing reliability, reducing downtime, the XF series is able to make the greater productivity for customer.



▶ The patent plated-fin type aluminum radiator is applied, the heat exchanging is approved, and improves the capability for operation in severe environments.



▶ The new stamped air cleaner featuring tangential intake, double seal with safety filter is durable, corrosion-free and vibration-resistant, provides better filter efficiency and lower intake resistance than the previous.



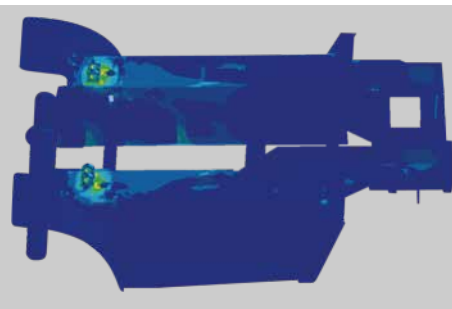
▶ All the controllers, relays, and safety fuses are allocated in the controller box, free to water and dust. The main electronic components are waterproof, which is capable operator in severe environment. And the famous brand air-filter is also applied in the truck.



▶ There're four levels shock absorption applied to reduced the vibration from the road to the driver. The damping pad is applied reduce the vibration, Like between the steering axle and the chassis, The engine, torque convertor and the chassis, the overhead guard and the chassis. And the suspension seat is another vibration reduction.



▶ Brake oil and steering oil are separated, non-interference in each other, using dynamic load sensing steering system, more energy efficient.



▶ High strength chassis, mast and front/rear axle are to make sure the reliability of the truck, even for high strength application.

5.0-7.0t XF series mast: (pneumatic)

Type	Model	Overall height		Free lift		Load distance, centre of drive axle to fork	Tilt range FWD/BWD	Capacity Load capacity at 600mm Double tire			
		Lowered	Extended		Without backrest			With backrest	5.0t	6.0t	7.0t
			Without backrest	With backrest							
Wide view mast	X50/70M250	2500	3505/3667	3907	160	160	598.5/603.5	6/12	5000	6000	7000
	X50/70M270	2700	3705/3867	4107	160	160	598.5/603.5	6/12	5000	6000	7000
	X50/70M300	3000	4005/4167	4407	160	160	598.5/603.5	6/12	5000	6000	7000
	X50/70M330	3300	4305/4467	4707	160	160	598.5/603.5	6/12	5000	6000	7000
	X50/70M360	3600	4605/4767	5007	160	160	598.5/603.5	6/12	5000	6000	7000
	X50/70M400	4000	5005/5167	5407	160	160	598.5/603.5	6/12	5000	6000	7000
	X50/70M430	4300	5305/5467	5707	160	160	598.5/603.5	6/6	5000	6000	7000
	X50/70M450	4500	5505/5667	5907	160	160	598.5/603.5	6/6	5000	6000	7000
	X50/70M480	4800	5805/5967	6207	160	160	598.5/603.5	6/6	5000	6000	7000
	X50/70M500	5000	6005/6167	6407	160	160	598.5/603.5	6/6	5000	6000	7000
Wide view full free duplex mast	X50/70M550	5500	6550/6667	6907	160	160	598.5/603.5	3/6	4750	5700	6600
	X50/70M600	6000	7050/7167	7407	160	160	598.5/603.5	3/6	4450	5400	6400
	X50/70U250	2500	3455/3615	3637	1230/1070	1048	625.5/631.5	6/12	5000	6000	7000
	X50/70U270	2700	3655/3815	3837	1345/1185	1163	625.5/631.5	6/12	5000	6000	7000
	X50/70U300	3000	3955/4115	4137	1495/1335	1313	625.5/631.5	6/12	5000	6000	7000
Wide view full free triplex mast	X50/70U330	3300	4255/4415	4437	1645/1485	1463	625.5/631.5	6/12	5000	6000	7000
	X50/70U360	3600	4555/4715	4737	1795/1635	1613	625.5/631.5	6/12	5000	6000	7000
	X50/70U400	4000	4955/5115	5137	1995/1835	1813	625.5/631.5	6/12	5000	6000	7000
	X50/70N400	4000	5282	5407	1300	1178	667/672	6/12	4500	5500	6400
	X50/70N450	4500	5735	5907	1500	1328	667/672	6/6	4500	5500	6400
	X50/70N480	4800	6035	6207	1600	1428	667/672	6/6	4500	5500	6300
	X50/70N500	5000	6213	6407	1672	1478	667/672	6/6	4500	5500	6300
X50/70N550	5500	6785	6907	1800	1678	667/672	3/6	4200	5200	6100	
X50/70N600	6000	7235	7407	2000	1828	667/672	3/6	4000	5000	5500	
X50/70N650	6500	7713	7907	2172	1978	667/672	3/6	3800	4000	4500	
X50/70N700	7000	8385	8407	2300	2278	667/672	3/6	3000	3300	3800	

With sideshifter minus 500Kg, with integral sideshifter minus 400Kg

Features

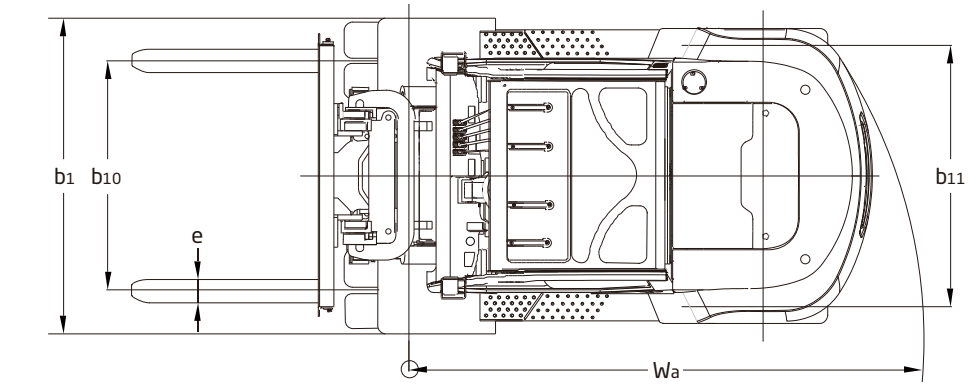
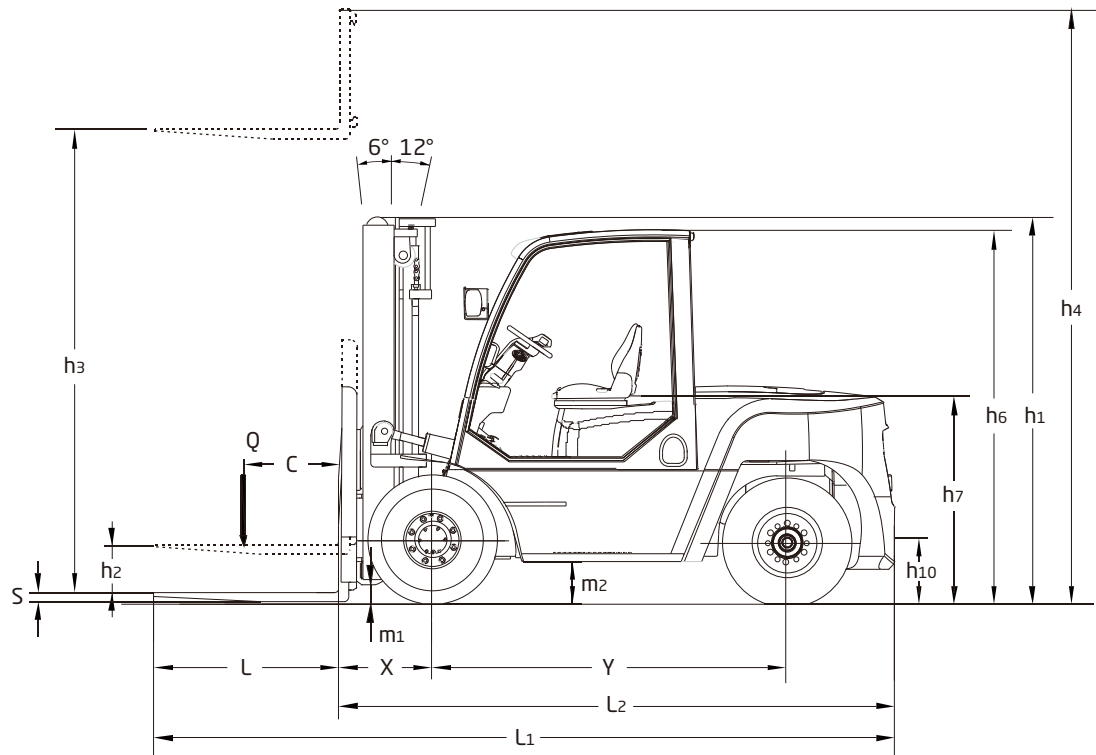
Truck	Standard	Options
Traction device	●	
Hand grip	●	
Standard seat	●	
Standard overhead guard	●	
Waterproof cover on the guard	●	
Back view mirror	●	
Pneumatic tyres	●	
Cabin		○
Cabin heater		○
Front window		○
Super elastic tyre		○
Non-mark tyre(white/green)		○
Suspension seat		○
Extinguisher		○
Special given color		○
Boot for tilt cylinder		○
Counter weight net		○
Seat sensor system		○
Toolbox		○
Hood lock (for W95 engine)		○
Steering		
Full hydraulic power steering	●	
Smaller diameter steering wheel	●	
Adjuster of steering wheel	●	
Chassiss		
Skidproof pedal	●	
Rubber pedal	●	
Engine hood spring	●	
Control		
Power steering	●	
Suspension pedal	●	
Integrated combination switch	●	
Parking brake	●	
Hydraulic		
Dynamic load sending control valve	●	
Hydraulic oil filter	●	
Tilt cylinder self-lock valve	●	
Hydraulic oil dipstick	●	
Accumulator	●	
Auxiliary hydraulic valve		○
Electro-hydraulic		○
Proportional control system		○
Transmission		
Suspension transmission	●	
Oil filter	●	
Dipstick	●	
Oil cooler	●	
Non-asbestos brake	●	
Wet brake (W65/W95/H16/H15)	●	
Drum brake (W14/W57/W68/W24/H20)	●	
Japanese drum brake		○
Wet brake		○
Power		
Big capacity aluminum radiator	●	
Whirlwind air cleaner	●	
Safety filter	●	
High-efficient intake muffler	●	
High-efficient exhaust muffler	●	
Middle-positioned exhaust system (W65/W14/W57/W68/W24/H20)	●	
High-positioned exhaust system (W95/H16/H15)	●	
Upright exhaust system		○
Air pre-cleaner		○
Net cover of radiator		○
Spark arrester		○
Purified exhaust system		○
Fan protector		○

Electronics	Standard	Options
High-efficient front lights	●	
High-efficient LED rear lights	●	
Service-free start battery	●	
Combination controller	●	
LCD display	●	
Neutral switch	●	
Hour meter	●	
Fuel gauge	●	
Water temperature gauge	●	
Pre-heat indicator	●	
Charging indicator	●	
Engine fuel pressure warning	●	
Oil temperature	●	
Horn	●	
Reversing buzzer	●	
Air-filter with jam sensor	●	
Emergency power off	●	
OBD		○
Front working light		○
Rear working light		○
Warning lamp		○
Mast		
Standard wide view duplex mast	●	
Standard forks	●	
Standard fork carriage	●	
Standard load back rest	●	
Mast speed limiting valve	●	
Load safety valve	●	
Mast down buffer device	●	
Mast up buffer device	●	
Side roller	●	
Duplex wide view free-lift mast		○
Triplex wide view free-lift mast		○
Special forks		○
Wider fork carriage		○
Widerload back rest		○
Optional Attachments		
Paper roll clamp		○
Rotating bale clamp		○
Load stabilizer		○
Multi-drum clamp		○
Bale clamp		○
Drum clamp		○
Dumping clamp		○
Crane arm		○
String Pole		○
Sideshifter		○
Rotating forks		○
Fork extensioner		○
Load release device		○
Carton clamp		○
Push-pull device		○
Bucket		○
Hook		○
Lengthened fork		○

Technical data

		HANGCHA GROUP CO.,LTD.																	
Distinguishing mark	1.1	Manufacturer																	
	1.2	Manufacturer's type designation	CPY050-XW68	CPY060-XW68	CPY070-XW68	CPC050-XW95G	CPC060-XW95G	CPC070-XW95G	CPC050-XH16B	CPC060-XH16B	CPC070-XH16B	CPC050-XH15B	CPC060-XH15B	CPC070-XH15B	CPY050-XH20	CPY060-XH20	CPY070-XH20		
	1.3	Drive: electric (battery or mains), diesel, petrol, fuel gas	LPG	LPG	LPG	Diesel	Diesel	Diesel	Diesel	Diesel	Diesel	Diesel	Diesel	Diesel	LPG	LPG	LPG		
Weight	1.4	Operator type: hand, pedestrian, standing, seated, order-pickier	Seat																
	1.5	Rated capacity/rated load	0 [kg]																
	1.6	Load centre distance	600																
	1.7	Load distance, centre of drive axle to fork	598.5																
	1.9	Wheelbase	2300																
	2.1	Service weight	7950																
	2.2	Axle loading, laden front/rear	11270/1680																
	2.3	Axle loading, unladen front/rear	3850/4100																
	Tyres, chassis	3.1	Tyres: solid rubber, superelastic, pneumatic, polyurethane	pneumatic															
		3.2	Tyre size, front	8.25-15-14PR															
3.3		Tyre size, rear	8.25-15-14PR																
3.5		Wheels, number front rear (x = driven wheels)	4x/2																
3.6		Tread, front	1489																
3.7		Tread, rear	1700																
4.1		Tilt of mast/fork carriage forward/backward	6/12																
4.2		Height, mast lowered	2500																
4.3		Free lift	160																
Dimensions		4.4	Lift	3000															
	4.5	Height, mast extended	4407																
	4.7	Height of overhead guard	2430																
	4.8	Seat height	1350																
	4.12	Coupling height	430																
	4.19	Overall length	4699																
	4.20	Length to face of forks	3499																
	4.21	Overall width	1990																
	4.22	Fork dimensions	s/e/l [mm]																
	Performance data	4.23	Fork carriage DIN 15173, class/type A, B	IV A															
4.24		Fork-carriage width	1700																
4.31		Ground clearance, laden, mast	190																
4.32		Ground clearance, centre of wheelbase	270																
4.34.1		Aisle width for pallets 1000 x 1200 crossways	5030																
4.34.2		Aisle width for pallets 800 x 1200 lengthways	5230																
4.35		Turning radius	3230																
4.36		Internal turning radius	1222																
5.1		Travel speed, laden/unladen	29.8/31																
Combustion engine		5.2	Lift speed, laden/unladen	0.432/0.458															
	5.3	Lowering speed, laden/unladen	0.480/0.420																
	5.5	Drawbar pull, laden/unladen	50000/25440																
	5.7	Gradeability, laden/unladen	38/20																
	5.10	Service brake	Drum brake																
	7.1	Engine manufacturer/type	PSI 4.3L(LPG)/NON-CERT																
	7.2	Engine power according to DIN ISO 1585	77																
	7.3	Rated speed	2300																
	7.4	No. of cylinders/displacement	V6/4294																
	Additional data	10.1	Operating pressure for attachments	190															
10.2		Oil volume for attachments	120																
10.8		Towing coupling, type DIN 15170	Pin																

* Aisle width calculation based on VDI 2198



Optional Engine / Transmission

Engine	Engine manufacturer/type	ISUZU 6BG10P	PSI PSI 4.3	PSI PSI 4.3	DEUTZ TCD3.6 L4	Cummins F3.8	Yuchai YCA05115-S500	PSI PSI 4.3	PSI PSI 4.3
	Manufacturer's type designation	W14	W57	W68	W95	H16	H15	H20	W24
Drive	Diesel	GAS/LPG		LPG	Diesel	Diesel	LPG	LPG	
Emission STD	G1	--		--	Stage V/T4f	Stage V/T4f	Stage V	Stage V	EPA Tier2/CARB Tier 3
Engine power	kW/r/min	85.3/2200	LPG: 77/2300 GAS: 76/2300	77/2300	55.4/2300	90/2200	85/2200	79.75/2300	77/2300
Rated torque	N.m/r/min	410.9/1500±100	LPG: 332.85/1400 GAS: 318/2300	332.85/1400	405/1300	500/1500	500/1300-1600	332.5/2000	332.85/1400
Number of cylinders/displacement	ml	6/4294	6/4294	6/4294	4/3621	4/3759	4/4837	6/4294	6/4294
Transmission	Transmissions Type	Powershift		Powershift	Powershift	Powershift	Powershift	Powershift	Powershift
Transmissions Manufacturer		CHINA		CHINA	ZF(GERMANY)	Okamura	Okamura	CHINA	CHINA
Rated capacity/rated load	0 [kg]	5000-7000		5000-7000	5000-7000	5000-7000	5000-7000	5000-7000	5000-7000

